

THE GEORGE B. SAUL II LECTURE FUND

presents



Dr. Libusha Kelly

Department of Systems and Computational Biology
Department of Microbiology and Immunology
Albert Einstein College of Medicine

PUBLIC LECTURE >
Thurs. Oct. 26, 2017
4:30 p.m. • MBH 216
Refreshments

The microbial worlds inside us

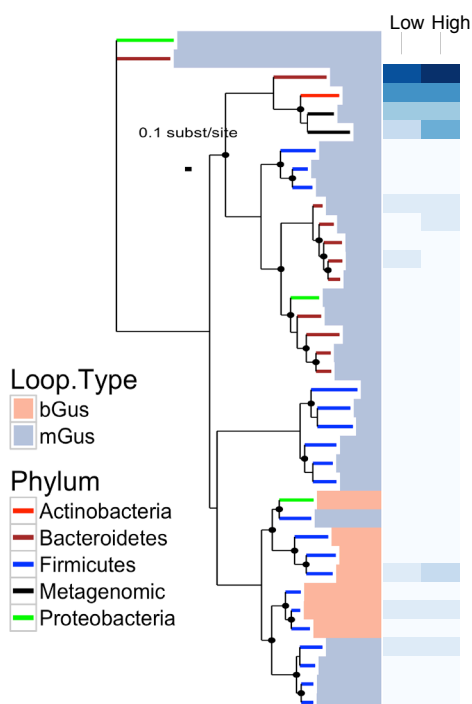
The microbes that live in our body influence human health. My lab studies how differences in the microbial communities between individuals can affect how we process food and how we respond to drugs. We ask why the same perturbation to the microbiome, for example, exposure to a drug or an inflammatory condition, can lead to different outcomes in different individuals.

SCIENCE TALK >
Friday, Oct. 27, 2017
12:30 p.m. • MBH 216
Lunch available at 12:15 p.m.

The microbial ecology of xenobiotic metabolism

How is microbial ecology linked to human health? Why does the same perturbation to the microbiome lead to different outcomes in different individuals? Explore a recent finding demonstrating that the abundance and phylogeny of microbial enzymes involved in xenobiotic metabolism correlates with drug metabolism phenotypes ('metabotypes') in the human gut.

www.kellylab.org/@microbegrrl



Sponsored by The George B. Saul II Lecture Fund,
and the Department of Biology

www.middlebury.edu/academics/bio